



**Valve bag pressure flow packer**



**CHRONO-FILL™ E-VAL**



# Pressure flow packer

The CHRONO-FILL™ E-VAL fills valve bags with powders or granular materials of small particulate size.

Wheat and potato starches, PVC powders, mineral powders, feed meals, screenings, are typical products which can be packed at speed, with accuracy. The packer is particularly beneficial on high-value products and will give rapid payback on initial capital investment.

Depending on the product 500 bags/hour can be achieved. Outputs of up to 6 bags/minute can be obtained from one single packer. Higher outputs are possible by installing machines side by side. CHRONO-FILL™ E-VAL is available with both manual or automatic bag placing.



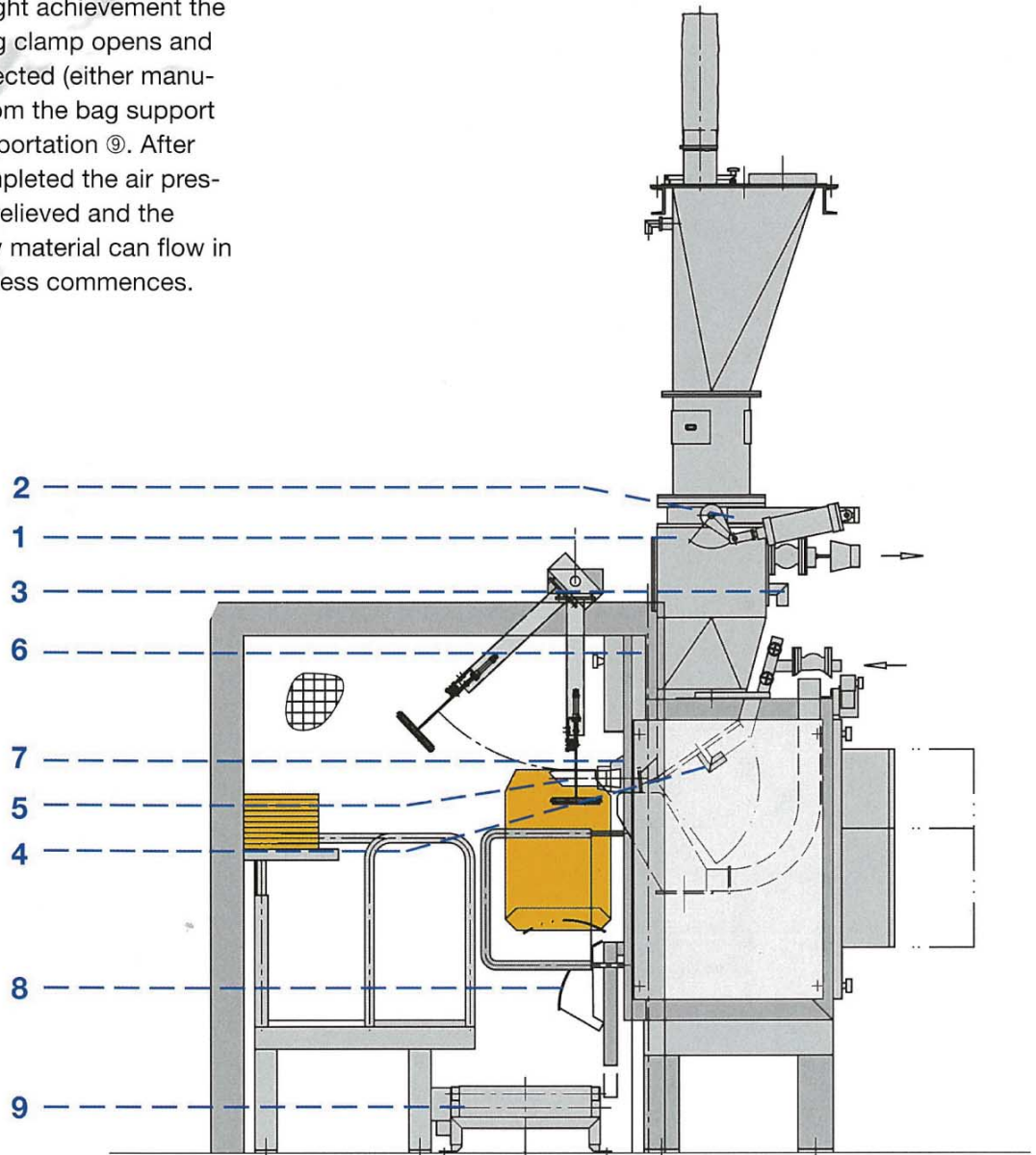
# Method of operation

## Functions

An empty valve bag is placed (either manually or automatically) on the filling spout ⑤ and gripped by the bag clamp ⑦. The infeed gate ② is opened and material flows from the supply hopper into the Air Chamber ①. The gate is controlled by a level switch. Air Chamber pressurisation is controlled by pinch valves ③ and ④. The introduction of compressed air forces material at full flow through pinch valve ⑥ into the bag. When the control system initiates dribble flow, the material flow is reduced by partial closure of the valve. At target weight achievement the valve is closed. The bag clamp opens and the filled bag can be ejected (either manually or automatically) from the bag support ⑧ for subsequent transportation ⑨. After weighing has been completed the air pressure in the chamber is relieved and the infeed gate opens. New material can flow in and the next filling process commences.

## Benefits

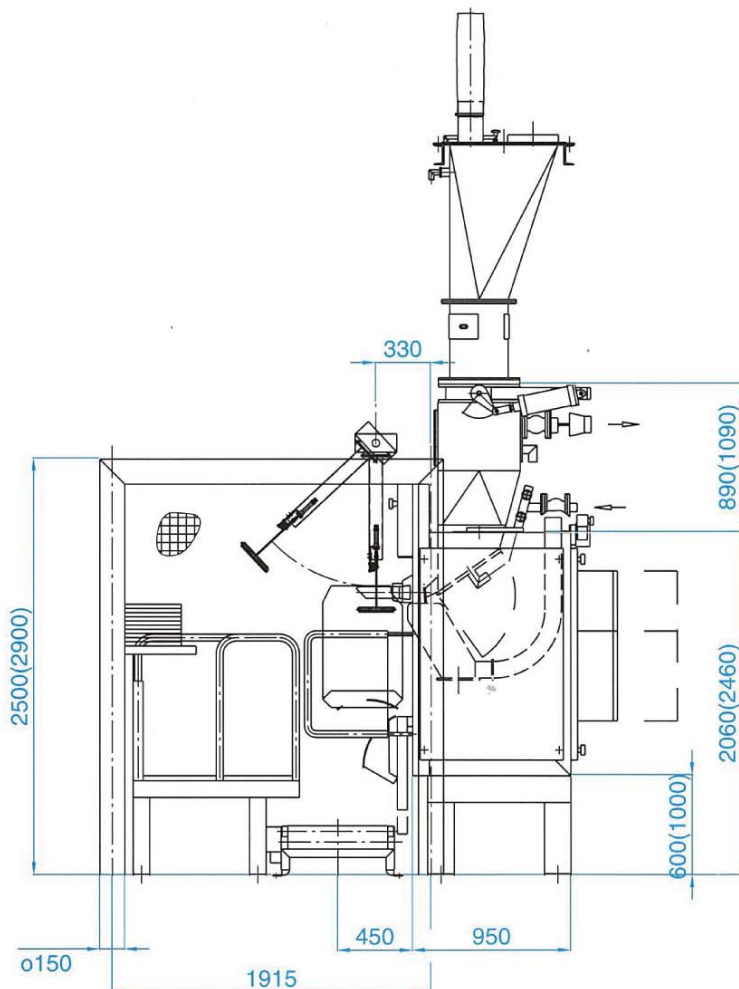
- Non-degradative handling of products
- Rapid changeover to other bag sizes
- Low levels of dust in operation
- Optimum accuracy in bag filling
- Low pressure filling to prevent damage to valve bags
- Produces consistent box-shaped bags ready for pallets and transportation



# Technical data

<b>CHRONO-FILL™ E-VAL</b>	
Weighing range	10 to 50 kg
Bag types	valve bags
Bag materials	paper and plastic
Valve widths	90-150 mm
Bag dimensions	width 350-600 mm length 450-900 mm
Output	up to 500 bags/h, each 25 kg (depending on material, bag dimensions/valve width)
	Material tests can be carried out at our works
Air supply	clean, oil-free compressed air
Operating pressure	6 bar
Air consumption at 6 bar	V = 50 NI/cycle (max)

Power supply	3-230/400 V, 50 Hz (others available)
Power consumption	6 kW
Control voltage	24 VDC (others available)
Protection	IP 55
Environmental temp.	+5°C to +40°C
with anti-freeze protect.	-10°C to +40°C
Aspiration supply	
suction	0.01 bar
suction volume	20 m <sup>3</sup> /min.
Noise level	< 75 dB (A) [with remotely sited compressor or with soundproofing] ≤ 85 dB (A) [without soundproofing]
Weight	660 kg; controller 70 kg



Subsidiaries/Joint Ventures:

**Premier Tech Chronos**  
Canada/USA

**Chronos Richardson GmbH**  
Germany

**Chronos Richardson Ltd.**  
United Kingdom

**Chronos Richardson S.A.**  
France

**Chronos Richardson S.r.l.**  
Italy

**Chronos Asia Pacific Sdn.Bhd.**  
Malaysia

**Chronos Richardson (Thailand) Ltd.**  
Thailand

**Chronos Richardson India (P) Ltd.**  
India

Representatives in other countries.  
Liaison offices in Beijing, China and  
Hong Kong.

internet: [www.chronosrichardson.com](http://www.chronosrichardson.com)  
e-mail: [info@chronosrichardson.com](mailto:info@chronosrichardson.com)

